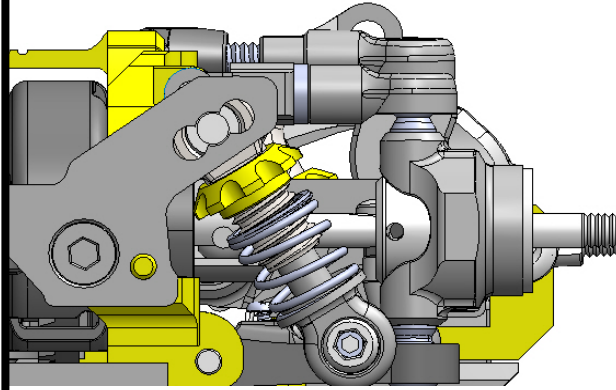


Date: _____ Track: _____ Driver: _____

Surface: _____ Temperature: _____ Humidity: _____

Body: _____
 Wheelbase: _____
 Motor: _____
 ESC: _____
 Battery _____
 Servo: _____
 Differential: _____
 Spur Gear: _____
 Motor Pinion: _____

Front:



Shock Position: _____

Camber: _____

Upper Shim: _____

Bottom Shim: _____

Spring: _____

Grease: _____

Droop: _____ Ride Height: _____

Front Wheel: _____
 Rear Wheel: _____
 Front Tire: _____
 Rear Tire: _____

Rear:

Shock Position: _____

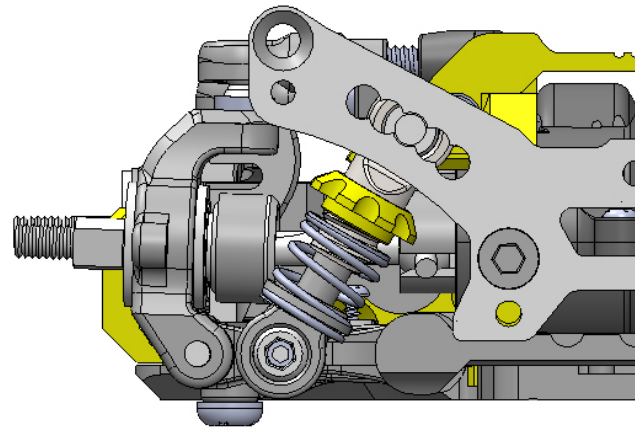
Camber: _____

Upper Shim: _____

Spring: _____

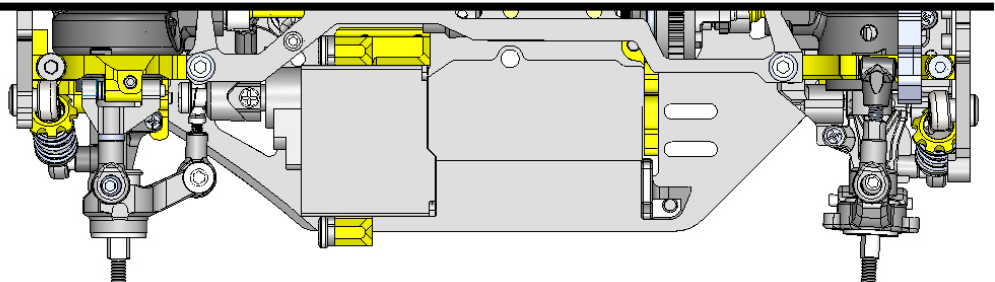
Grease: _____

Ride Height: _____ Droop: _____



Long Damper: Short Damper: Shock Extended:

Note:



Front Toe : _____

Chassis Material: _____

Rear Toe : _____

Caster: _____